

金盈电子有限公司

APPROVAL SHEET FOR SAMPLE

样品承认书

CMP POWERSUPPLY®



CUSTOMER/客户 : A1822

CUSTOMER P.N./客户物料号 : _____

MODEL NO./产品型号 : GPE053A-V090066-2

APPROVAL NO./承认书编号 : 1807055

DESCRIPTION/产品名称 : SWITCHING MODE POWER SUPPLY

DATE/日期 : 2018-8-3 REV/版本 : 1.0 Colour/颜色 : BLACK

PREPARED BY/拟制	CHECKED BY/审核	APPROVED BY/批准

CUSTOMER AUTHORIZED SIGNATURE/客户承认签核		

Please return to us one copy of "APPROVAL SHEET FOR SAMPLE" with your approved signature.
确认后请签名盖章并回传一份样品承认书给我司。

电话 :
传真
邮箱

金盈电子有限公司

CONTENTS/目录

项次	内容	页码
1	Cover/封面	1
2	Contents/目录	2
3	E.C.List/变更履历表	3
4	Input Characteristics/输入特性	4
5	Output Characteristics/输出特性	4
6	General characteristics/一般特性	4
7	Environment/环境:	5
8	Application safety standard : meet/应用安全标准	5
9	EMI standard : meet/ 电磁干扰标准	5
10	HI-POT test/高压测试	5
11	Insulation resistance /绝缘电阻	5
12	Reliability:/ 可靠性	5
13	Mechanical/ 机械结构	6
14	Mechanical specification/机械参数:	6
15	Sample primary test report/样品初测报告	7
16	COC V5 Tier 2 test/能效测试	8
17	AC plug drawing/输入插头图面	-
18	PE Bag/塑料包装袋	-
19	AC cable drawing/输入线图面	-
20	DC cable drawing/输出线图面	9
21	Outline drawing/外观图面	10
22	Lable Drawing/铭牌图面	11
23	Package Drawing/包装图面	12-14
24	Instruction manual/说明书	15
25		
26		
27		
28		
29		
30		

金盈电子有限公司

1.INPUT/输入特性

1.1 Input voltage rating/额定输入电压范围:	100-240V AC
1.2 Input voltage range/输入电压范围:	90-264V AC
1.3 Input frequency rating/额定输入频率:	60/50 Hz
1.4 Input frequency range/输入频率范围:	63/47 Hz
1.5 AC input current/最大输入电流:	0.2 A Max .@100V AC
1.6 AC input power saving/输入空载功率:	0.075 W Max .@230V AC at no load
1.7 Inrush Current/最大浪涌电流:	30 A Max .@100VAC (Cold start/冷启动) 60 A Max .@230VAC (Cold start/冷启动)
1.8 Leakage current/最大漏电流:	0.25mA Max

2. Output characteristics/输出特性

2.1 Output voltage/输出电压:	9 V
2.2 Max. load current/最大负载电流:	0.66 A
2.3 Min. load current/最小负载电流:	0 A
2.4 Output no-load voltage/输出空载电压:	9 V± 5%
2.5 Output full load voltage/输出满载电压:	9 V± 5%
2.6 Output ripple & noise/输出纹波与噪声:	300 mV max.

Note: 1. output voltages shall be measured at output connector.

2. Ripple measurements shall be made with an oscilloscope of at least 20 MHz bandwidth. Output shall be bypassed at the connector with a 0.1uF ceramic disk capacitor and a 10uF electrolytic capacitor to simulate system loading at temperature 25 °C.

1. 输出电压要求测试连接输出端。

2. 纹波测试要求在环境温度25度情况下示波器频宽在20MHz以下，量测输出连接端并联一个10uF电解电容与0.1uF的独石电容。

3. General characteristics/一般特性

3.1 Total output power/额定总输出功率:	5.94 Watts
3.2 Average Efficiency / 平均效率:	While input 115Vac and 230Vac,the average efficiency is more than 78.97% .The test point is at 25%,50%,75% and 100% load after 30 min warm up at max load.comply must with requirement level VI 在输入115Vac和230Vac条件下，平均效率不小于 78.97% 测试点分别是最大载的25%,50%,75% 和 100%.测试要求电源满载预热30分钟测试.必需符合能效六等级要求。
3.3 Short circuit protection/短路保护:	A Short circuit placed on DC output shall cause no damage or auto-recovery the power supply. 输出短路时电源不会损坏或自动还原供电。
3.4 Over Voltage Protection/过压保护:	When overvoltage occurs on DC output shall cause no damage or auto-recovery the power supply. 输出过压发生时电源不会损坏或自动还原供电。

金盈电子有限公司

4. Environment/环境:

4.1 Operating temperature/:操作温度	0~40
4.2 Storage temperature/:存储温度	-25 to 70
4.3 Operating humidity/:环境湿度	8% to 90%
4.4 Storage humidity/:存储湿度	5% to 95%

5. Application safety standard : meet/应用安全标准

UL 60950	EN 60950	AS/NZS 60950	J60950	K60950
UL 60065	EN 60065	AS/NZS 60065	J60065	Brazil
UL 1310	EN 60335	GB4943	J61558	
	EN 61558	GB8898		

6. EMC standard /电磁干扰标准 :

6.1 EMI standard / EMI 标准 :

FCC Part 15 Class B	GB 9254-2008	J55022
EN 55032: 2015	GB 17625.1-2012	J55013

6.2 EMS standard / EMS 标准 :

EN 61000-4-2/ESD静电耐受测试	EN 61000-4-5/Surge点击波耐受测试
EN 61000-4-3/RS辐射场强耐受测试	EN 61000-4-6/CS传导场强耐受测试
EN 61000-4-4/EFT/Burst瞬间脉冲耐受测试	

7. HI-POT test/高压测试

(1)Primary to secondary/:初级对次级	4525VDC for 3sec. 5mA(production testing)
	4242VDC for 1min. 5mA(Sample testing)
(2)Primary to case/:初级对外壳 (only for metal case)/只适用于金属外壳	4525VDC for 3sec 5mA(Production test)

8. Insulation resistance /绝缘电阻

Input to output/输入对输出:	>10Mohm.@500VDC
------------------------	-----------------

9. Reliability:/ 可靠性

9.1 MTBF/平均故障间隔时间 :	50K hours min. @full load at 25 ambient temperature.
9.2 Burn-in/烘烤 :	2-4hours,25~45 ,Input 220VAC,Output 100% load .
9.3 Altitude: Will operate properly at altitude between 0 to 6000ft 正常运转在0到6000英尺之间的高度.	

金盈电子有限公司

10. Mechanical/ 机械结构

10.1 Dimensions/尺寸:Please see the mechanical dimension drawing./请参见机械尺寸图

10.2 Weight/重量: 67 g

11. Mechanical specification/机械参数:

11.1 Drop test/落地测试 : The height of 1 M,frepuency 1 drop per face.

dropping surface on concrete floor judgment standard:No function fail & no cabinet joint broken.

11.2 Bending test: With load 200g, then bend ± 60 degree at ratio of 45times/minute.

摇摆试验:吊重200 g,然后折弯 ± 60 度,频率按45次/分钟.

16AWG	-----	5000cycles Min
18AWG	-----	4500cycles Min
20AWG	-----	2400cycles Min
22AWG	-----	2000cycles Min
24AWG	-----	1500cycles Min
26AWG	-----	1000cycles Min

11.3AC plug drawing/输入插头图面 : Attached/附图

11.4AC cable drawing/输入线图面 : Attached/附图

11.5DC cable drawing/输出线图面 : Attached/附图

11.6Outline drawing/外观图面 : Attached/附图

11.7Lable drawing/铭牌图面 : Attached/附图

11.8Package drawing/包装图面 : Attached/附图

金盈电子有限公司

SAMPLE PRIMARY TEST REPORT/样品初测报告

MODEL NO./产品型号： GPE053A-V090066-2

TEST BY/测试人： 沈忠伟

Test Items./测试项目	Test Condition/测试条件	Unit/单位	Sample quantity and test result/样品数量和测试结果										Pass /Fail
			1#	2#	3#	4#	5#	6#	7#	8#	9#	10#	
Unload output voltage/ 空载输出电压 (0.0A) 8.55vdc - 9.45vdc	90Vac	V	9.13	9.11	9.12	9.13							PASS
	115Vac	V	9.13	9.11	9.12	9.13							PASS
	230Vac	V	9.13	9.11	9.12	9.13							PASS
	264Vac	V	9.13	9.11	9.12	9.13							PASS
Rated load output voltage/ 额定负载输出电压 (0.66 A) 8.55vdc - 9.45vdc	90Vac	V	9.08	9.01	8.99	9.03							PASS
	115Vac	V	9.08	9.01	8.99	9.03							PASS
	230Vac	V	9.08	9.01	8.99	9.03							PASS
	264Vac	V	9.08	9.01	8.99	9.03							PASS
Output ripple & noise voltage (Full load)/输出 纹波及噪声 电压 (满载) 300mV	90Vac	mV	118	119	121	115							PASS
	115Vac	mV	124	117	119	120							PASS
	230Vac	mV	124	129	119	125							PASS
	264Vac	mV	141	120	133	118							PASS
Short-circuit protection test/短路保护测试	90Vac	W	1.93	1.8	1.91	1.77							PASS
	264Vac	W	0.15	0.21	0.19	0.23							PASS
Over current protection/ 过流保护点 (0.726 A)	90Vac	A	0.79	0.79	0.79	0.79							PASS
	264Vac	A	0.78	0.78	0.78	0.78							PASS
IC Vcc voltage test/ Vcc电压测试 (规格 16V)	90Vac	V	8.05	8.31	8.56	8.49							PASS
	264Vac	V	9.51	9.21	9.40	9.37							PASS
Hi-pot test/介电强度	4242Vdc/5mA/ 1Minute		OK	OK	OK	OK							PASS
Appearance/外观	无刮伤,字迹清晰 无误		OK	OK	OK	OK							PASS
Mosfet (IC)/Vds耐压测试	264Vac	V	560	Mosfet规格	700	Derating 95% Max. Volt.	80.00%						PASS
输出肖特基D/Vrr耐压测试	264Vac	V	53	Diode规格	60	Derating 90% Max. Volt.	88.33%						PASS
变压器反馈绕组上所连接电 阻(R)功率损耗(PD)	90Vac	P	-	R(功率)规格	-	Derating 65% Max Power	-						PASS
	264Vac	P	-	R(功率)规格	-	Derating 65% Max Power	-						PASS

E0-3-011 G/1

金盈电子有限公司

COC V5 Tier 2 test/能效测试

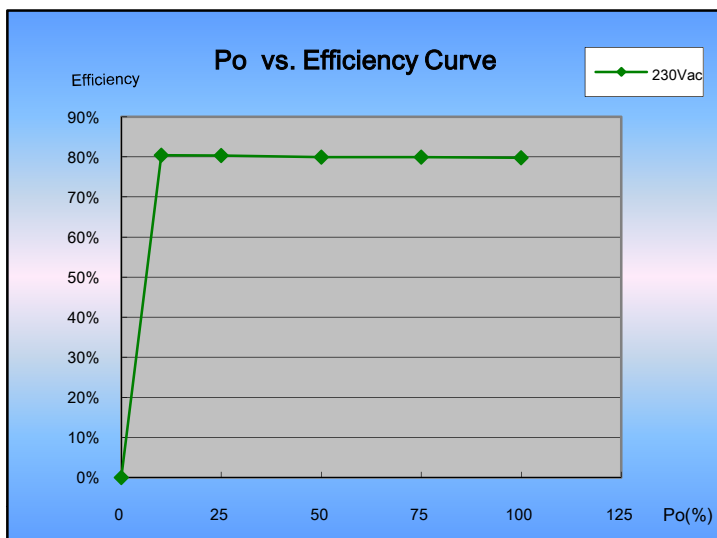
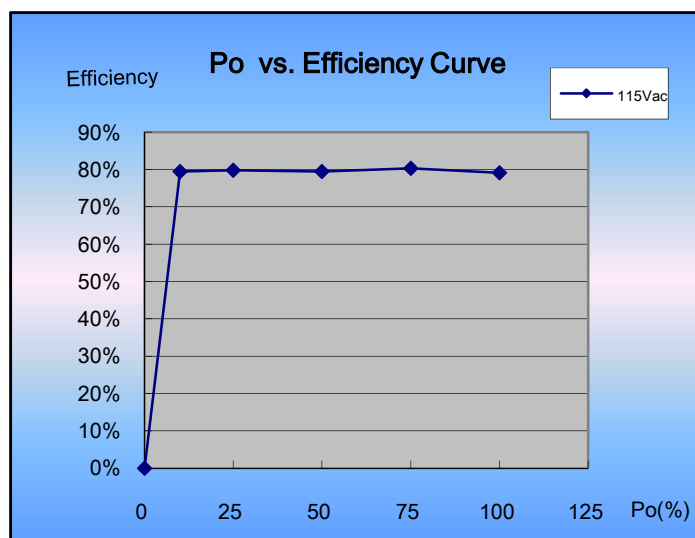
MODEL NO./产品型号 : GPE053A-V090066-2

TEST BY/测试人 : 沈忠伟

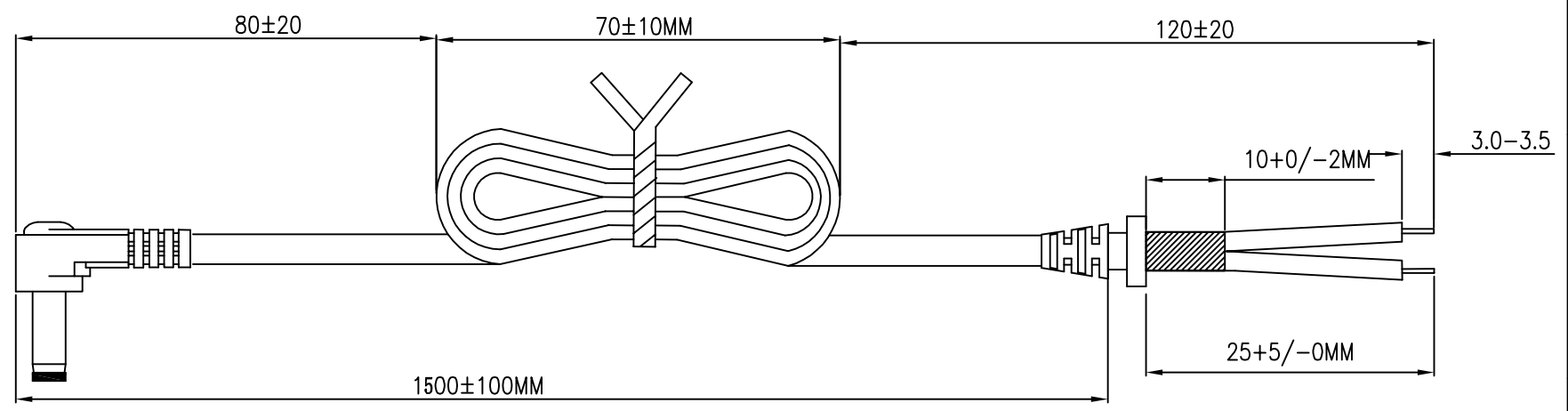
Environment : Ambient High Low : 25

Test Condition: Vac=115V/230V ,Load :0~100% step Load :25%

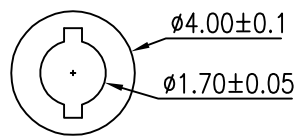
1 Vin: 115Vac/60Hz								1 Vin: 230Vac/50Hz							
Load (%)	Vout(V)	Iout(A)	PF	Pin(w)	Po(w)	Efficiency	Result	Load (%)	Vout(V)	Iout(A)	PF	Pin(w)	Po(w)	Efficiency	Result
0	9.12	0.000	---	0.02	0	0.00%	PASS	0	9.15	0.000	---	0.04	0	0.00%	PASS
10	9.03	0.066	---	0.75	0.59598	79.46%	PASS	10	9.02	0.066	---	0.74	0.59532	80.45%	PASS
25	9.05	0.165	---	1.87	1.49325	79.85%	---	25	9.01	0.165	---	1.85	1.48665	80.36%	---
50	8.99	0.330	---	3.73	2.9667	79.54%	---	50	8.99	0.330	---	3.71	2.9667	79.96%	---
75	8.99	0.495	---	5.54	4.45005	80.33%	---	75	8.98	0.495	---	5.56	4.4451	79.95%	---
100	9.01	0.660	---	7.51	5.9466	79.18%	---	100	9.00	0.660	---	7.44	5.94	79.84%	---
Po_typical (w)				5.94	Average 79.72%		PASS	Po_typical (w)				5.94	Average 80.03%		PASS
					10% Load 68.97%								10% Load 68.97%		
					Spec. 78.97%		VI						Spec. 78.97%		VI



版本	变更内容	变更人	变更时间

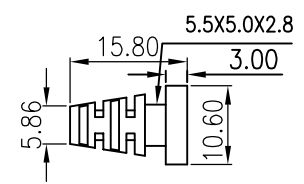
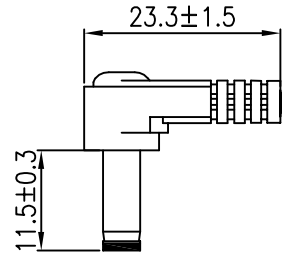


Size: Black 24# 1185 Print the white line to the inner hole



A-A
scale 3:1

DC PLUG Size:
 Number: YX304
 Material: 45+/-5P PVC black
 DC PLUG Size: yellow plastic
 Tuning and fork 1.7x4.0x11.5 L (shrinkage 4mm)



SR Size:
 Number: 052(YX833)
 Material: 65+/-5P PVC black

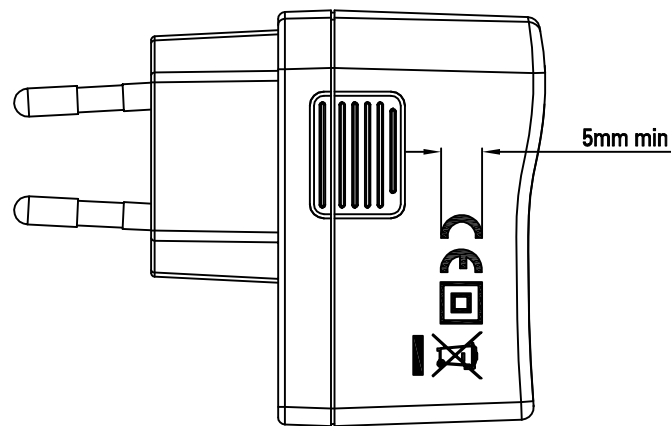
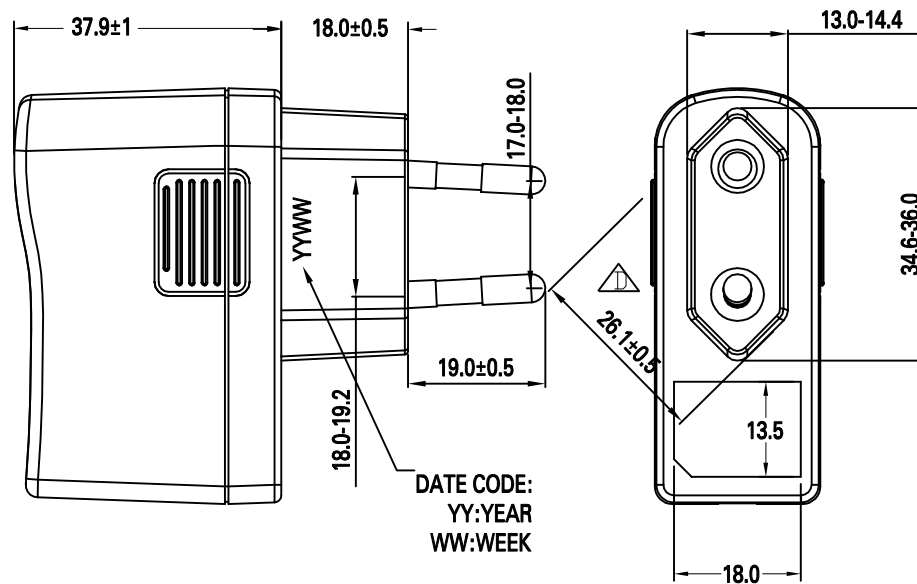
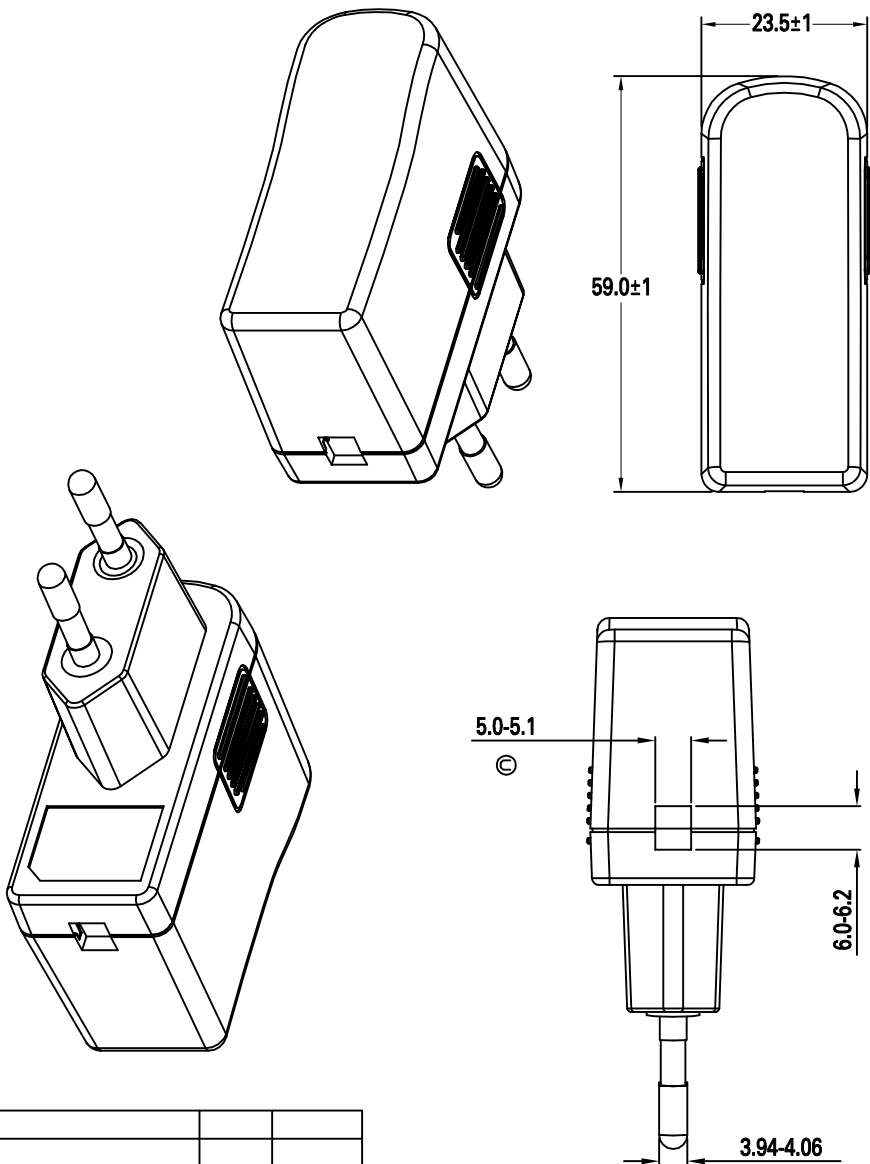
technical requirements:

1. The SR/DC reliability test of the wire material is based on the GPE 《feeding inspection standard annex 8》
2. Products must comply with ROHS+PAHS+16P requirements.
3. Pay attention to tolerance requirements.

版本	图号	图号	型号	产品名称	单位	比例	设计	校对	批准	尺寸公差	
							向增娟	李增灿	余明昭	±0.05	±0.10
A	A4	GPE-DC10468	GPE-12150	DC线	mm	1:1	设计日期	材料		±0.15	±0.20
							2018/07/20			±0.25	±0.30

Choose	colour	p/n
●	black	10-0056-GS02
	AB301 apple white (185669)	10-0056-GS10
	white AB30	10-0056-GS06

			版本号	图寸	设计	校对	批准	尺寸公差	
			D	A4	陈健生	李增灿	余明昭	±0.05	±0.10
图号	型号	产品名称	单位	比例	设计日期	材料			
GPE-CS0899	GPE-K056VDE	外壳	mm	1:1	2008/8/7	PC	☞	±0.15	±0.20
							☞	±0.25	±0.30



版本	变更内容	变更人	变更时间
C	SR卡口由5.5更改为5.1MM	李增灿	2011.5.20

1

2

3

4

5

6

版本	变更内容	变更人	变更时间

A

A

B

B

C

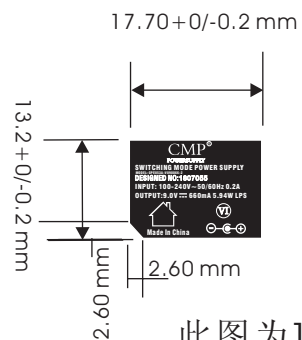
C

D

D

E

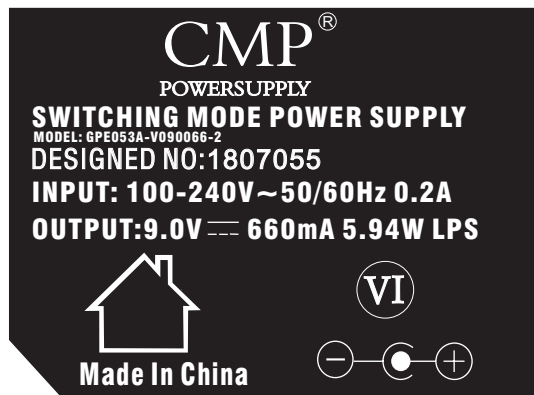
E



此图为1:1之图型模板
scale 1:1

注：版面为黑底白字
材质为100#白亮特多龙+雾面
耐温80℃
厚度为0.13±0.01

Remark:
White text with black background
Material is 100# white tetolon + Mist side
Temperature resistance 80℃
Thickness 0.13±0.01



名称：铭板				REV: A	
图号：GPE-MB18384		型号：GPE053A-V090066-2		页号：	图寸：A4
尺寸公差		比例	1:1	绘图	校对
±0.05	±0.10	✓	单位	MM	
±0.15	±0.20		日期	2018/07/20	

1

2

3

4

5

6

1

2

3

4

5

6

A

B

C

D

E

A

B

C

D

E

OPEN

130 +/- 5MM

200 +/- 5MM



PE-LD



200X130MM, THICKNESS :0.04mmPE BAG

				DESCRIPTION: PE BAG		REV: A	
DRAWING NO: GPE-PP0052			MODEL: GPE001-33		PAGE:	PAPER DIMENSION: A4	
TOLERANCE		SCALE	1:1	DRAWN	CHECKED	APPROVED	
±0.05	±1.0	✓	UNIT	MM	SAM		
±0.15	±0.20		DATE	2009/3/3			

1

2

3

4

5

6

1

2

3

4

5

6

版本	变更内容	变更人	变更时间
B	客户地址变更	向增娟	17.03.30
C	客户地址变更	向增娟	18.06.05

A

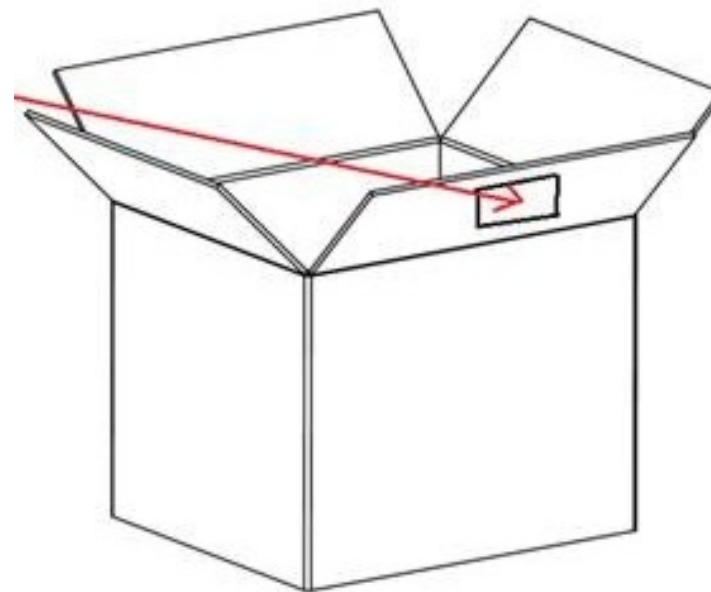
B

20.0+0/-0.2 mm



注/Remark: 版面为白底黑字
 White Text with black background
 材质为合成纸/synthetic paper
 厚度为/Thickness 0.13 ± 0.01

位置/location:



A

B

C

D

E

D

E

26-0300-0661

名称:		铭板		REV:	C	图号:		GPE-MB16611		型号:	图寸:	A4
±0.05	±0.10	✓	单位	MM	绘图	校对	批准	向增娟	李增灿	余明昭		
±0.15	±0.20		日期	2016/04/08								

1

2

3

4

5

6

1

2

3

4

5

6

A

B

C

D

E

A

B

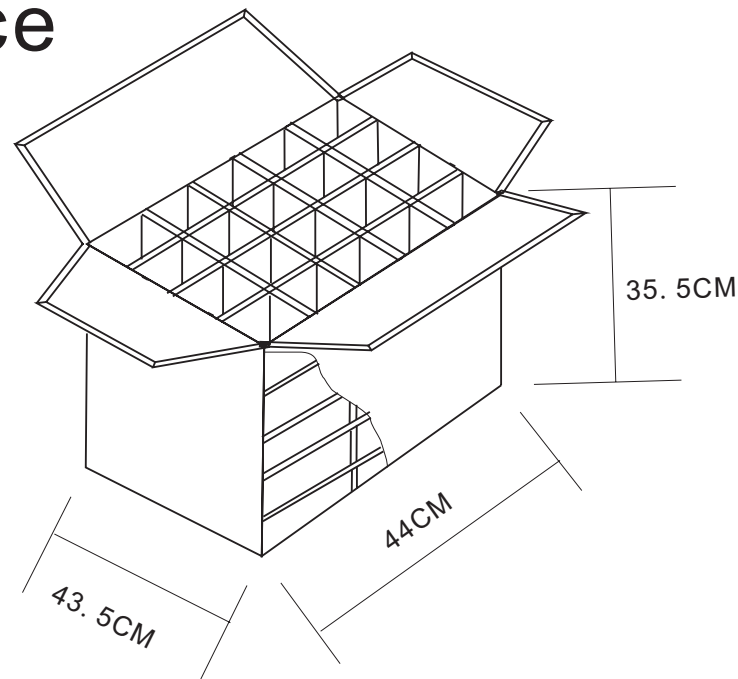
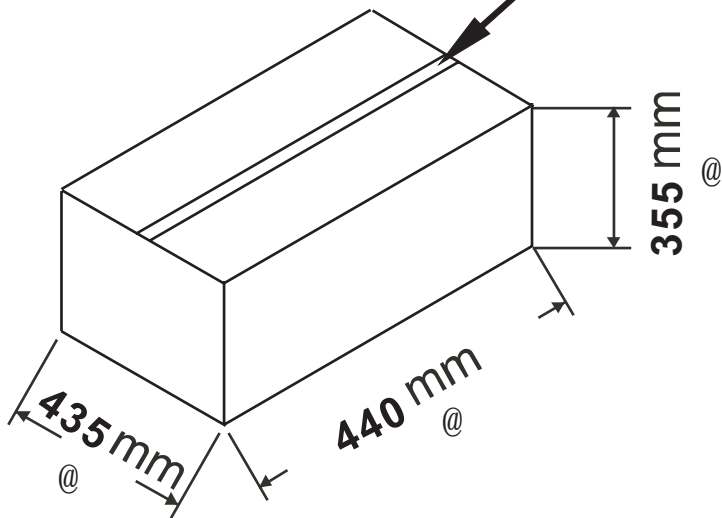
C

D

E

Carton :

Open face



Carton size 44X43.5X35.5cm
 with EGG GRID 5x4, 5 layers,
 single EGG GRID size 100X80X60mm

NOTES:

- 1.TOLERANCE: +/-1
- 2.Material:B=C
- 3.@ EMPHASIS CHECKING DIMENSTION

30-4400-0114

<input type="checkbox"/>				名称: 纸盒		REV: A	
图号: GPE-CS3525		型号: GPE056 VDE		页号:		图寸: A4	
尺寸公差		比例		绘图		校对	
±0.05	±1.0	✓	单位	MM	向增娟 李增灿 余明昭		
±0.15	±0.20		日期	2016/05/27			

1

2

3

4

5

6

金盈电子有限公司

INSTRUCTION MANUAL

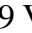
说明书

Please keep reading the following safety notes before use or examination.

使用或检验前需细读下列安全说明：

i). Primary technical specification of the marking on the product.

产品铭牌上标识的主要技术参数:

Model型号：GPE053A-V090066-2	Input输入: 100V-240V~50/60Hz	0.2 A
Output输出: 9 V  660 mA	Total output power/额定功率:	5.94 W

ii). Operation instruction

使用说明：

1. The product is used only within doors or at the dry location.

本产品仅适用于户内或干燥处使用。

2. Don't store or use this product in the erodent condition.

不要在有腐蚀性的环境中存放或使用此产品。

3. The ambient temperature around the product must be kept for room temperature because overcool can effect on the feature and working life of product.

产品周围环温应保持在室温状态，应避免过热过冷，以免影响产品性能与寿命。

4. According to the technical specification of product, it must be connected with correct power input and specified out put load or terminal appliance so that it can't be broken. Pay attention to the input voltage & frequency.

请依据产品的技术指标要求,正确接通电源,指定负载或终端产品，以免损坏产品。尤其要注意输入电压与频率的匹配。

5. The disconnection from line voltage is taken by pulling the mains plug.

若需断电，请从插座处拔出产品电源插头。

6. The product is not intended to be repaired by service personnel in case of failure including component defect of crack of the enclosure and external flexible cord damaged etc, it must be discarded.

如果产品出现故障如元件损坏，外壳裂开，引出线身损伤等，则不可维修再用，必须报废。

7. If you have any technical question, please do not hesitate to consult he supplier directly.

如有技术疑难，请直接咨询产品供应商。

8. Fuses replaceable only by service personnel.

保险管的更换必须由专业维修人员完成。